



FHD SERIES

Heated Adsorption Dryer

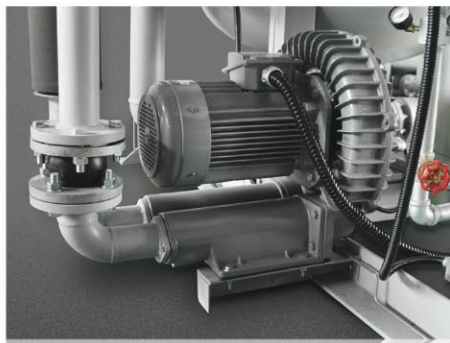


FHD Series

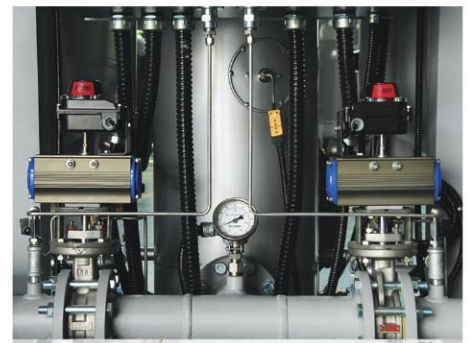
Heated Adsorption Dryer



Silicon Controlled Rectifier



Blower



Double Eccentric butterfly valve

FHD equipped with patent device for energy saving more 20% than general heated dryer

- Conform to ISO 8573.1 standard for supplied air.
- Design and development for manufacturing is in compliance with ISO 9001 Standard.
- Conform to CNS. ASME. GB pressure vessel standard.
- Silicon Controlled Rectifier , that material used SUS or INCOLOY alloy , Temperature reached 600 ~800° C.
- Piping material SUS 304 , used Double Eccentric butterfly valve to avoid air interrupt.
- Build in Wattmeter, easy for verification recycle energy waste.
- HMI & PLC controller have the function of self-detection , provide stable & reliable performance, also provide Remote Communication RS-485.
- Patent device for energy saving, heating stop was advanced by temperature control, during the cooling procedure it synchronized to raise and reuse internal waste heat produced during the heat procedure , that energy saving 20% more.



FHD Front

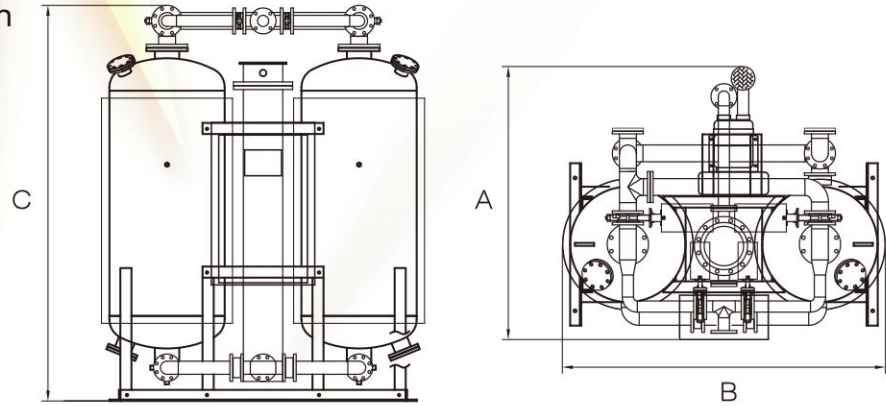


FHD Back

FHD SERIES

Heated Adsorption Dryer

FHD Series Dimension



FHD Series Specification

MODEL	Flow Rate*(1)			Dimension (mm)			Pipe Size	Weight	Heater	Blower
	cfm	m ³ /min	m ³ /hr	A(D)	B(L)	C(H)				
FHD							DN	kg	kW	kW
50	306	8.7	522	1015	1500	1970	50	880	9	0.75
100	498	14.1	846	1290	2060	2140	80	1450	15	1.5
125	608	17.2	1032	1290	2060	2445	80	1500	15	1.5
150	742	21	1260	1380	2160	2130	80	1650	18	2.2
200	1024	29	1740	1500	1975	2440	80	1950	22.5	3.9
250	1236	35	2100	1670	2455	2375	100	2880	27	5
300	1483	42	2520	1670	2190	2680	100	3350	27	5
350	1826	51.7	3102	1690	2260	2995	100	3200	27	5
400	2070	58.6	3516	1785	2475	2780	100	3700	27	5
500	2437	69	4140	2080	2940	2900	150	5000	72	11
600	2801	79.3	4758	2080	2940	3170	150	5400	72	11
700	3168	89.7	5382	2135	3060	3020	150	6200	72	11
800	3673	104	6240	2135	3060	3295	150	6600	72	11
900	4380	124	7440	3390	3360	3420	200	8500	132	15
1250	5616	159	9540	3445	3610	3655	200	10450	132	15
1500	6817	193	11580	3475	3820	3715	200	11200	132	15

Remarks:

- Dryer Capacity base on Dew point -40°C , Minimum Operating Pressure 7 barg, inlet Temp. 35°C.
- Dryer Capacity varies with operating pressure, inlet Temp. And Dew point. Ensuring the dryer model selected is equal to or greater than your drying capacity requirement.
- If Dew point in -70°C , or special demand , please contact FUSHENG.
- Dryer design base on 20°C & 1 bara(14.5 psid)
- Standard Spec. 380V/440V/480V/3ph/60Hz.

FHD Dryer Correction Factor in different Temp. and Pressure

Pressure	Inlet Temp °C			
	25	30	35	40
6	1.67	1.21	0.88	0.64
7	1.88	1.37	1	0.73
8	2.12	1.53	1.12	0.82
9	2.32	1.7	1.24	0.9
10	2.56	1.85	1.35	1



PLC Programmable Logic Controller

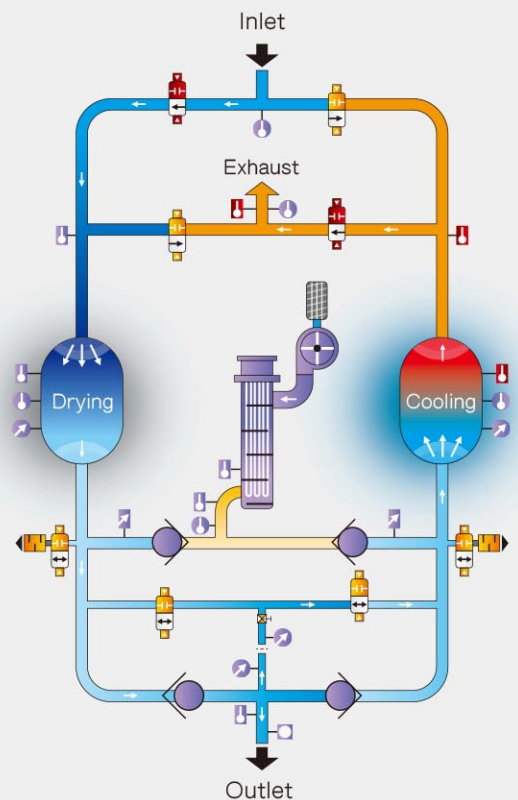
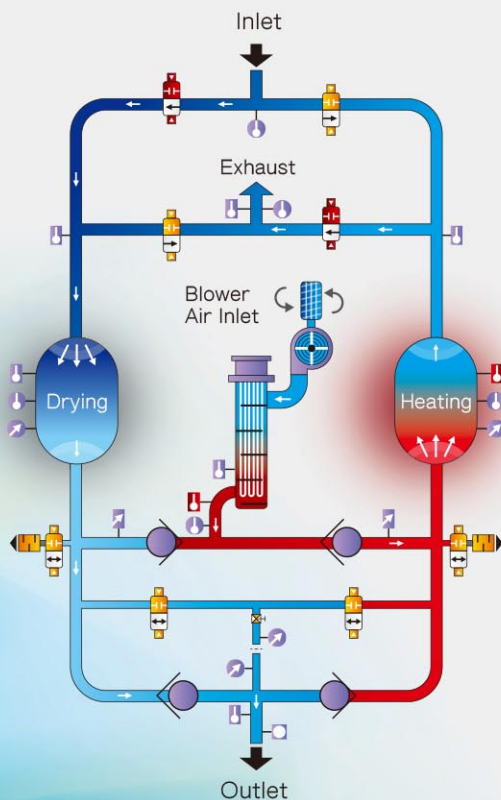
Equipped function of self-detection, provide stable & reliable performance, FHD Dryer took protection of air interrupt, pressure drop and over-heat as the focus of design.

Controller would display the whole operation conditions, that would help users to ensure the setting such Temperature, pressure, and controlling time as well as entered the controlling system to modify the settings under password protection.

- Fault History/List
- HMI system
- Alarm / Warning History / List
- Trend of Exhaust Outlet Temperature
- Trend of Dew Point & Pressure

System flow chart :

- Regenerate Temperature : 200° C.
- Blower was used to draw in the external air for regenerate desiccant.
- Regeneration upstream, to ensure was no repeat adsorption.
- Adsorption downstream, the compressed air made desiccant tight, which would be able to promote the adsorption efficiency as well as stable air performance at outlet.
- Cooling procedure used less compressed dry air to cool the desiccant that avoid the contamination of vapor and would cool desiccant to below 65° C , also avoid the dew point spike due to moisture penetration as two vessels were switchover.





FHD SERIES

Heated Adsorption Dryer

FUSHENG INDUSTRIAL CO., LTD

HEAD OFFICE

No.172, Sec. 2, Nanjing E. Rd., Zhongshan Dist.,
Taipei City 104, Taiwan (R.O.C.)
TEL : +886-2-2507-2211 FAX : +886-2-2504-7870

FACTORY(SALES OFFICE)

No.60, Sec. 2, Guangfu Rd., Sanchong Dist.,New Taipei City 241,
Taiwan (R.O.C.)
TEL : +886-2-2995-1411 FAX : +886-2-2995-7925

FUSHENG (VIETNAM)

No. 6. Street 3A, Bien Hoa Industrial Zone II,
Bien Hoa, Dong Nai Province. Vietnam.
TEL:+84-61-383-4566 FAX:+84-61-383-4599
E-Mail : sales@fusheng.com.vn

FUSHENG (THAILAND)

No. 140/1-2 Moo.12, Kingkaew Rd., T.Rachathewa,
A.Bangplee, Samutprakarn 10540, Thailand
TEL:+66-2-312-4547 FAX:+66-2-312-4530
E-Mail : sales.fsth@fusheng.com

Web site : www.fusheng.com
E-Mail : machinery.sc@fusheng.com

FUSHENG (MALAYSIA)

No.08 Jalan Para U8/103, Metropolitan
Business Park, Seksyen U8, 40150
Shah Alam, Selangor, Malaysia
TEL :+60-3-7832-3952 FAX :+60-3-7832-1954
E-Mail : fsmy_sales@fusheng.com

FUSHENG (INDONESIA)

Taman Tekno Blok H-9 / 23-25,
Bumi Serpong Damai Sector XI,
Tangerang 15314, indonesia
TEL:+62-21-2275-6671 FAX:+62-21-2275-6672
E-Mail : info.indonesia@fusheng.com



Distributor/Sales Representative

FHD-10608-112A000-E1